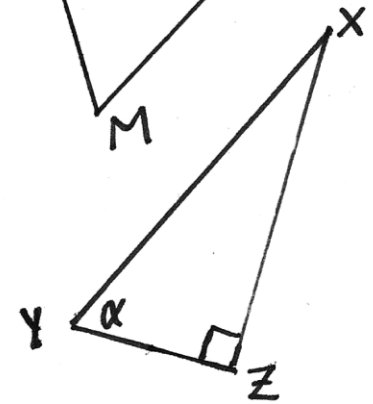
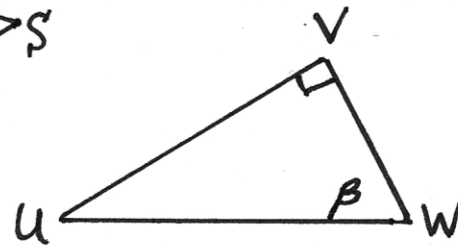
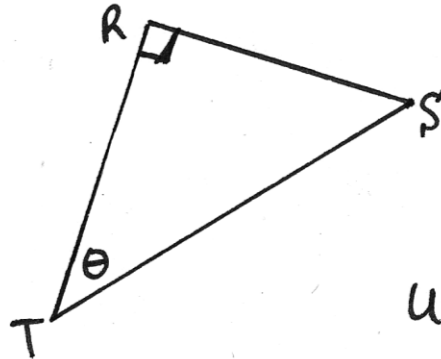
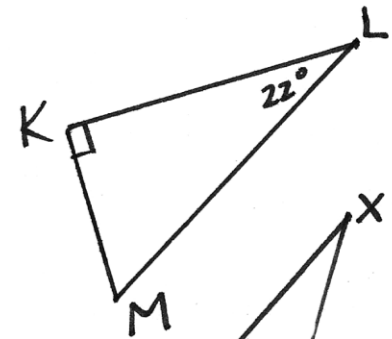
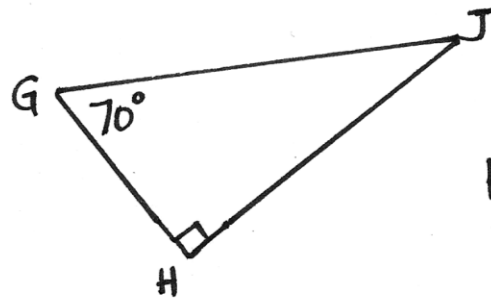
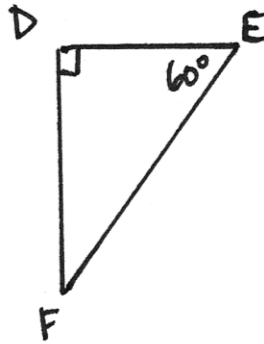
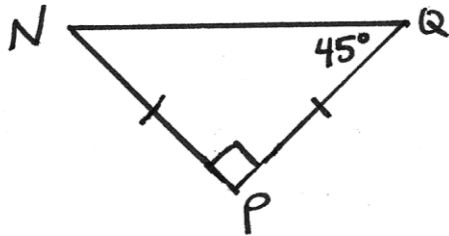
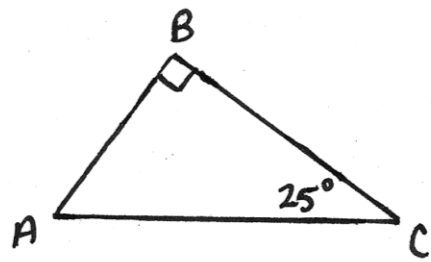
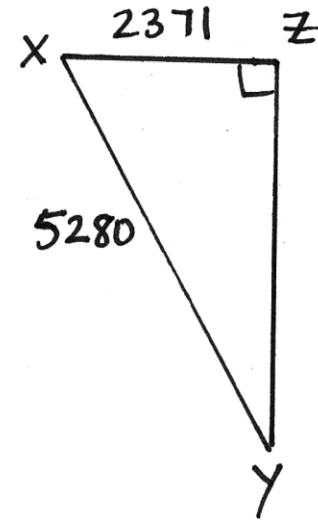
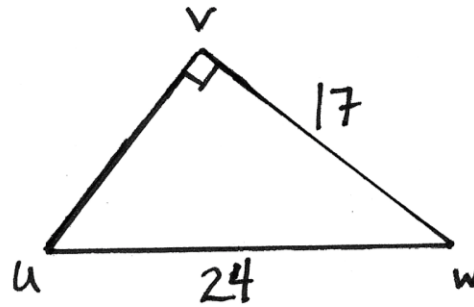
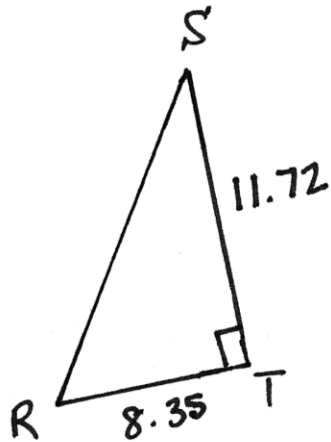
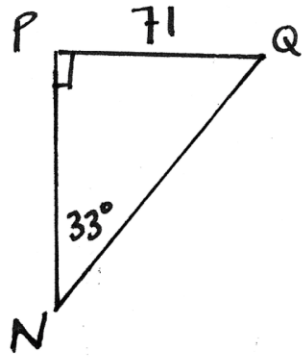
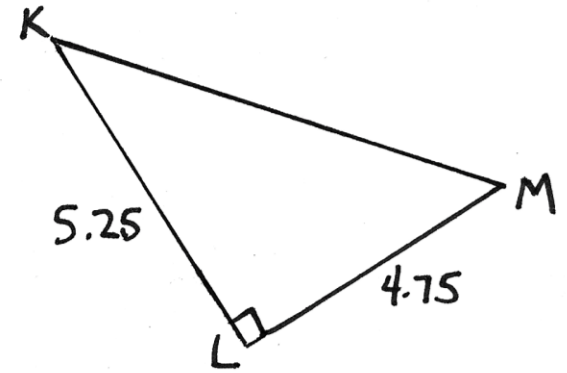
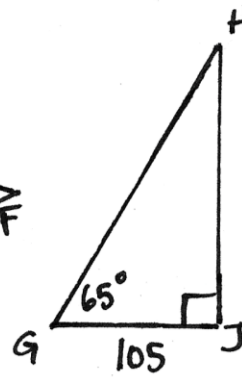
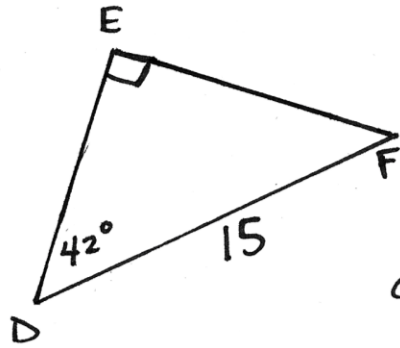
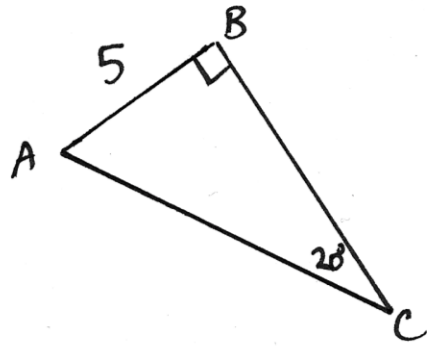


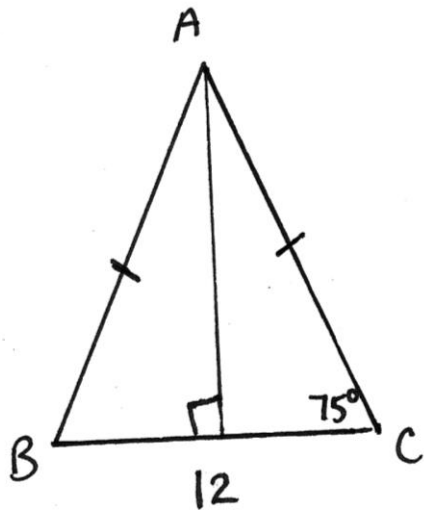
Label the sides of each triangle as OPposite, ADjacent, and HYPotenuse from the reference angle.



Solve each triangle (find all angle and side measurements).



Solve the triangle (find all angle and side measurements).



Find θ .

